



www.armadillonv.com

Armadillo MTS Mounts

Armacush Grade

Introduction

We supply a wide range of high quality machine mounts for all types of applications.

Typical Applications

- Punch Presses Guillotines
- Drills
- Millers
- Injection Moulders
- Forge Pressers
- Lathes Compressors
- Pumps

Product Features

- Designed for loads from 125kg to 11,500kg
- Effective isolation vertically and horizontally
- Reduces transmission of noise and vibration
- Threaded adjustment for accurate levelling
- Oil resistant neoprene mounting base
- No ground anchor bolt required
- Low cost isolation solution

Sample Selection

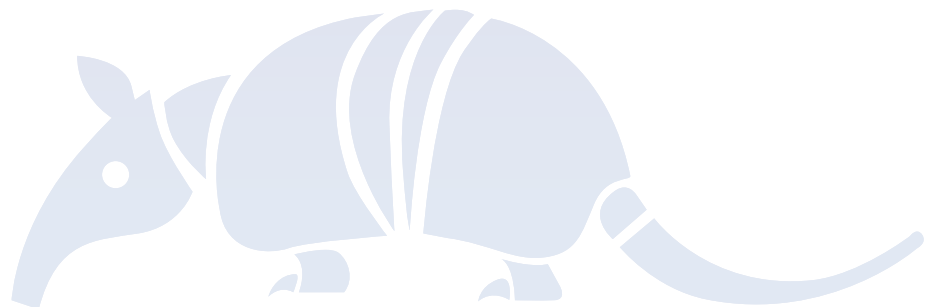
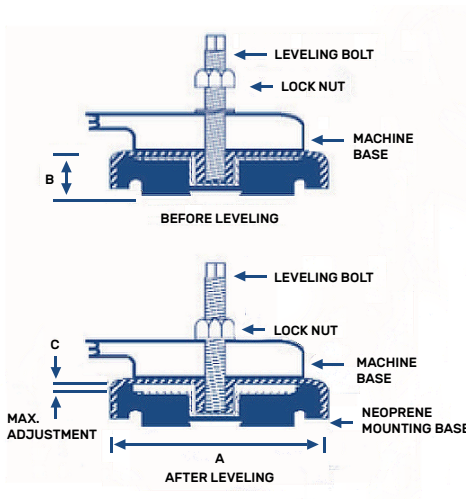
11,100 kg machine weight

 6 mounting points = 1,850 kg per mounting pt.

Referring to the table to the right, select the mount with a max capacity above this figure. In this example MTS4 200kg. For impact machiner use next larger size.

Type Mount	Base Diameter A	Max Load	Bolt Size (Diam. x Lg)	Base Height B	Max Adj. C
MTS 1	40 mm	125 kg	M5 x 30	15 mm	5 mm
MTS 2	80 mm	450 kg	M20 x 80	25 mm	8 mm
MTS 3	120 mm	1,150 kg	M12 x 100	32 mm	12 mm
MTS 4	160 mm	2,000 kg	M16 x 120	35 mm	12 mm
MTS 5	185 mm	4,500 kg	M20 x 160	39 mm	12 mm
MTS 6	225 mm	7,500 kg	M24 x 180	54 mm	12 mm
MTS 7	315 mm	11,500 kg	M30 x 200	70 mm	12 mm

Ensure the bolt diameter is a clearance fit on the machine foot Longer bolts are available on request.



Call **+44 1274 591115** For all enquiries

Armadillo N & V, Brighton St
 Shipley, West Yorkshire,
 BD17 7EB

armadillonv.com
 sales@armadillonv.com